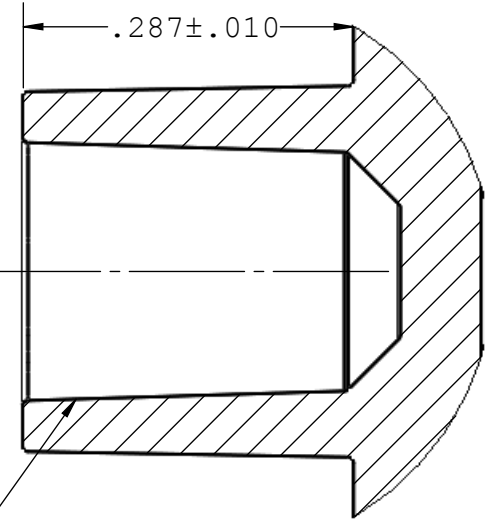
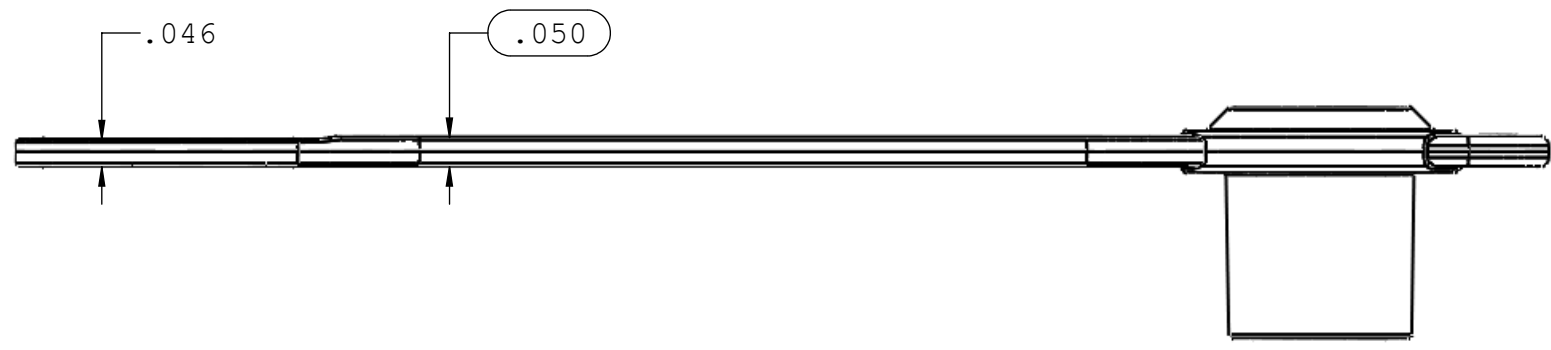
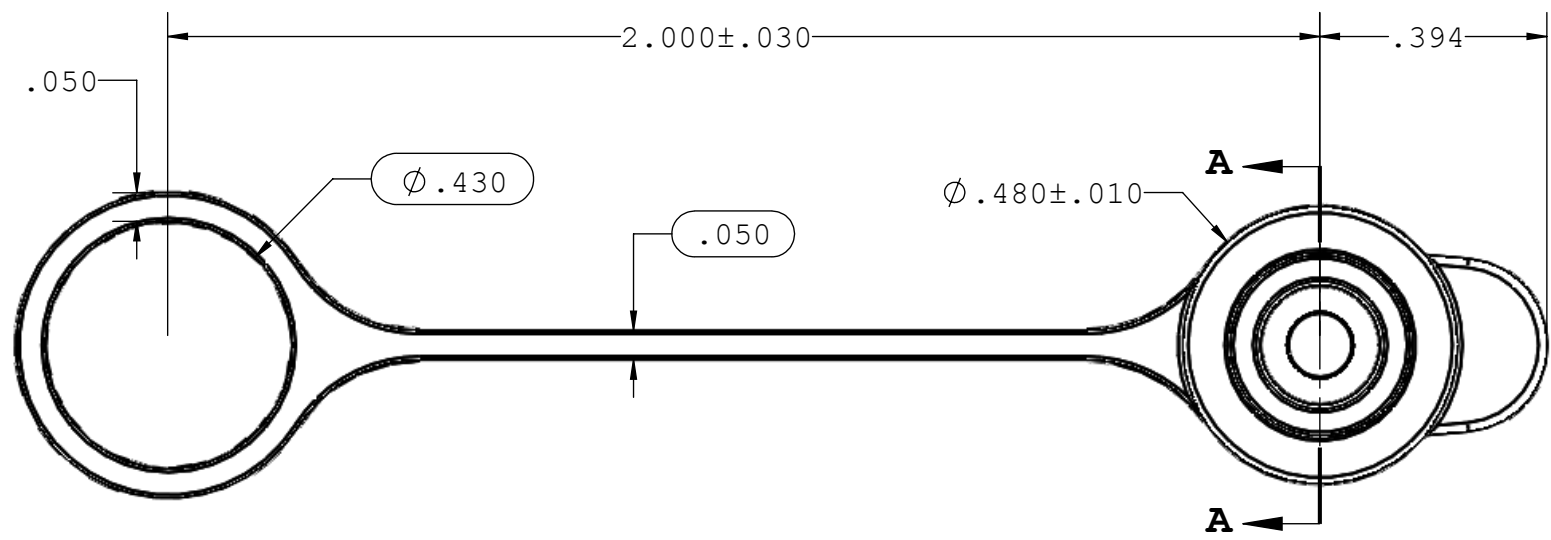


NOTES: FOR ADDITIONAL DETAILS, PLEASE CONTACT VP CUSTOMER SERVICE
 DIMENSIONS MARKED $\text{\textcircled{\hspace{0.5em}}}$ ARE CONTROL DIMENSIONS

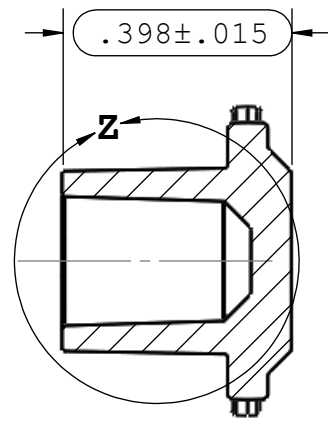
REVISIONS			
REV.	DESCRIPTION	DATE	APPROVED
A	INITIAL RELEASE	02-10-16	H.L



ISO80369-3 TAPER



DETAIL Z



SECTION A-A



UNLESS OTHERWISE SPECIFIED DIMENSIONS ARE IN INCHES TOLERANCES ARE:		VALUE PLASTICS, INC			
FRACTIONS	DECIMAL				
±	.XX ±.01	± 1°			
	.XXX ±.005				
	.XXXX ±.001				
DO NOT SCALE DRAWING		PART NUMBER: ENTFTC			
DESCRIPTION: ISO80369-3 Tethered Cap		DESCRIPTION: ISO80369-3 Tethered Cap			
DRAWN BY: Frank.Lombardi	DATE: 2/18/2016	SIZE: B	SCALE: NTS	VER:	DWG. NO. 1035088
MANAGER: huadong.lou		© 2014 VALUE PLASTICS, INC			REV A
				SHEET: 1 OF 1	

FOR REFERENCE ONLY